

# Dynamic

# Axiom Security Hinge



Dynamic Hardware's Axiom Security Hinge has been designed to suit PVC-U door profiles and is fully adjustable on all planes.

Manufactured and tested to extremely high standards, the patented Dynamic Axiom Security Hinge allows changing from left to right hand in seconds.

## SELECTED FEATURES

- Patented.
- Ready to install or alternatively supplied for high volume production.
- Dynamic signature dimple indentation.
- Can achieve PAS 24: 2022 accreditation as part of a complete door assembly on both internal and external doors.
- Has achieved Secured by Design accreditation.
- Left and right hand options achievable in seconds.
- Manufactured in high strength Aluminium, Zinc alloys, Steel and 304 Stainless Steel.
- 3D independent vertical, lateral and compression adjustment.
- Available in 19mm and 21mm height options. Variety of hinge packers available.
- 12 colours as standard.
- All adjustments carried out with one size 5mm allen key.
- Only one size 4mm drill bit required in all prep work.
- Alternative packaging available to suit high volume manufacturing.

The **Dynamic Axiom Security Hinge** is quick to fit and suitable for use on PVC-U doors.

Secured by Design



Police Preferred Specification

STRENGTH IN PRODUCT DESIGN



Dynamic Hardware

## PART NUMBERS

19mm Part Number	21mm Part Number	Colour	Outer
DYAH-19AG	DYAH-21AG	Anthracite Grey	24
DYAH-19BK	DYAH-21BK	Black	24
DYAH-19BN	DYAH-21BN	Brown	24
DYAH-19BZ	DYAH-21BZ	Bronze	24
DYAH-19CG	DYAH-21CG	Champagne Gold	24
DYAH-19CH	DYAH-21CH	Chrome	24
DYAH-19GD	DYAH-21GD	Dark Gold	24
DYAH-19GP	DYAH-21GP	Pewter	24
DYAH-19OK	DYAH-21OK	Oak	24
DYAH-19SA	DYAH-21SA	Satin Chrome	24
DYAH-19SV	DYAH-21SV	Silver	24
DYAH-19WH	DYAH-21WH	White	24

## FINISHES

All UV Stabilised.



Anthracite Grey



Black



Brown



Bronze



Champagne Gold



Chrome



Dark Gold



Pewter



Oak



Satin Chrome



Silver



White

## MATERIAL SPECIFICATION

- Zinc alloy.
- Aluminium alloy.
- Steel.
- Stainless Steel Grade 304.
- Plastic – GF Nylon, UV Stabilised ABS and Acetal.

## TESTING

- Corrosion tested to BS EN 1670.
- Grade 5 plated and painted finishes.
- Cycle tested to 50,000 cycles, conforms to BS EN1191.
- PAS 24: 2022 compatible when tested as part of a complete door assembly.
- Has achieved Secured by Design accreditation.



## 3D ADJUSTMENT

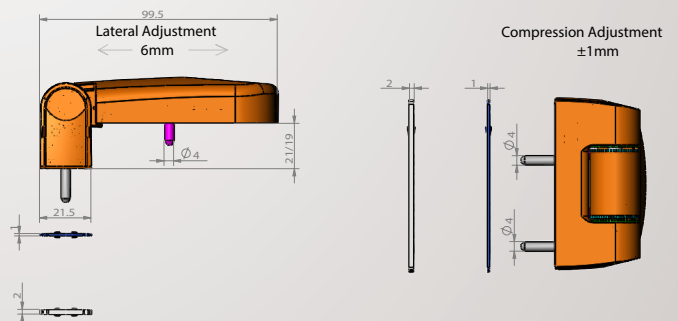
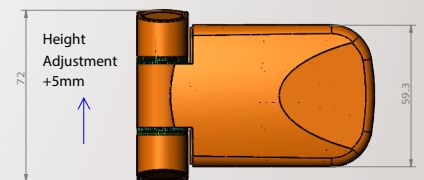
- Vertical +5mm.
- Compression +/-1.0mm.
- Lateral +/-6mm.

## MAXIMUM WEIGHT CARRYING CAPACITY

- 2 hinges 80kg
- 3 hinges 100kg.

## MAXIMUM DOOR SIZE

- Approximately 1m wide x 2.2m high.



**Dynamic Hardware**

Maintenance should be in accordance with our guidelines.  
Guarantee subject to correct installation and maintenance.

T: **01922 907776** | E: **info@dynamicgrouplimited.com**

**www.dynamichardware.co.uk**

Dynamic HW Group Limited 8 Windmill Street, Walsall, West Midlands, WS1 3EE