



Dynamic Inline Window Handle

Dynamic Hardware's Inline Window Handle has been ergonomically designed, manufactured and extensively tested both within Group and at independent accredited facilities.

The Dynamic Inline Window Handle is manufactured to an extremely high standard offering the best in product functionality and reliable performance.

SELECTED FEATURES

- Manufactured in high strength Aluminium and Zinc alloys.
- Suited signature dimple grip identification.
- Supplied with key, fixings screws, screw cover cap and non-locking plug.
- Spare keys and screw cover caps available.
- Painted products made from aluminium and zinc.
- All painted finishes are UV stabilised
- Plated products made from zinc.
- Non locking/solid buttons available.

Available in both inline and offset options, the **Dynamic Window Handle** is easy to fit and suitable for PVC-U, aluminium, and timber casement windows.



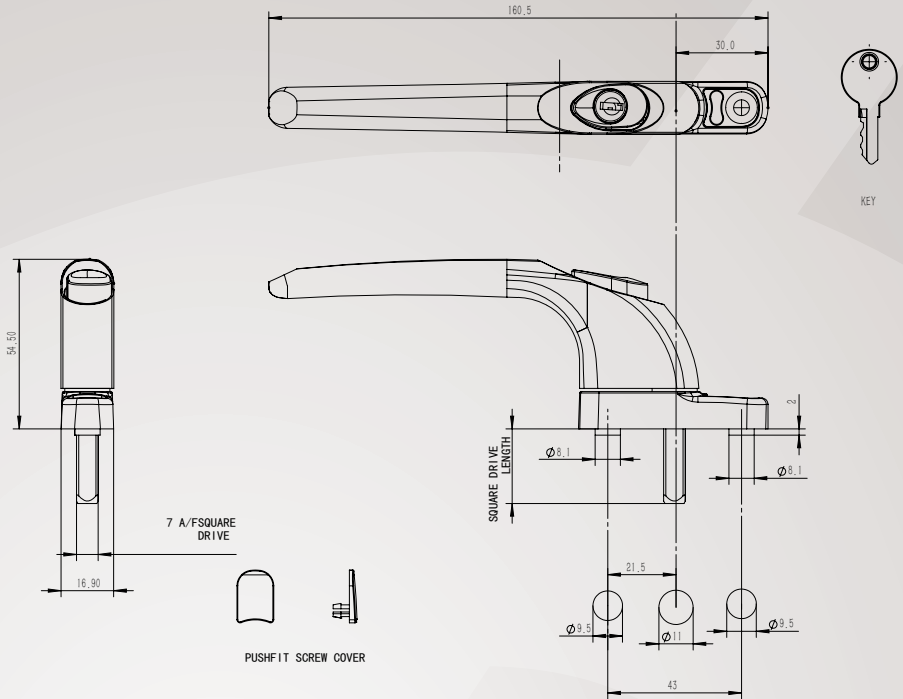
STRENGTH IN PRODUCT DESIGN

Dynamic Hardware

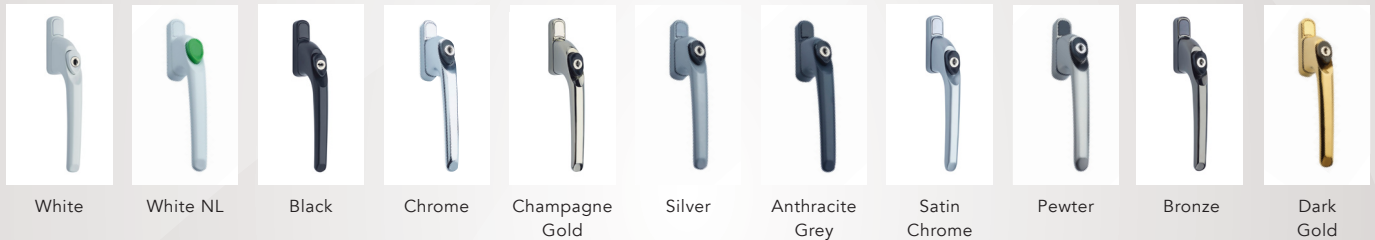


TESTING

- Corrosion resistance to BS EN 1670.
- Grade 5 painted finishes.
- Independently accredited to 20,000 cycles.
- All painted finishes are UV stabilised.



FINISHES



PART NUMBERS

Part Number	Description	Colour	Box Quantity	Carton Quantity
DYIL-40WH	Inline Espag *mm WHITE	White	10	80
DYIL-40NWHG	Inline Espag *mm WHITE NL	White Non Locking	10	80
DYIL-40BK	Inline Espag *mm BLACK	Black	10	80
DYIL-40CH	Inline Espag *mm CHROME	Chrome	10	80
DYIL-40CG	Inline Espag *mm C GOLD	Champagne Gold	10	80
DYIL-40SV	Inline Espag *mm SILVER	Silver	10	80
DYIL-40AG	Inline Espag *mm A GREY	Anthracite Grey	10	80
DYIL-40SA	Inline Espag *mm S CHROME	Satin Chrome	10	80
DYIL-40GP	Inline Espag *mm PEWTER	Pewter	10	80
DYIL-40BZ	Inline Espag *mm BRONZE	Bronze	10	80
DYIL-40GD	Inline Espag *mm D GOLD	Dark Gold	10	80

* Spindle lengths 15mm, 30mm and 40mm available as standard.

Please note: A variety of spindle lengths are available to suit multiple profiles on request.

Guarantee subject to correct installation and maintenance.

Window Handles should not be used to transport windows.

T: **01922 907776**

E: **info@dynamicgrouplimited.com**



Dynamic Hardware