

Dynamic Central Door Knob



Dynamic Hardware's Central Door Knob offers stylish aesthetics and has been designed to complement any entrance door.

Manufactured and tested to extremely high standards, the Dynamic Central Door Knob delivers ultimate corrosion resistance and outstanding product performance.

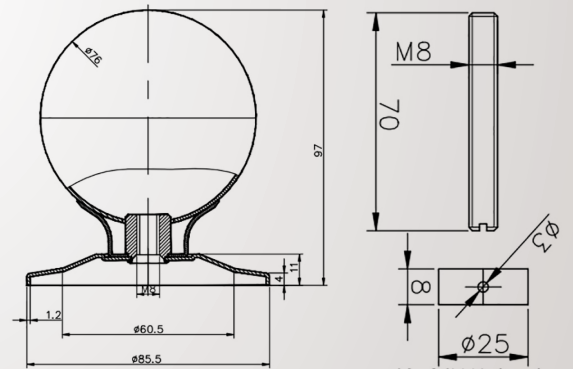
SELECTED FEATURES

- Manufactured from high strength 316 Stainless Steel.
- 76mm central knob diameter.
- Fix the M8 bolt through the door and into the threaded hole in the base of the centre knob.
- Fixings available to support Composite Doors.
- Brushed steel finish.

PART NUMBERS

Part Number	Description	Box Quantity
ESSDK – BRU	Central Door Knob	25

STRENGTH IN PRODUCT DESIGN



* Guarantee subject to correct installation and maintenance.

T: **01922 907776** | E: **info@dynamicgrouplimited.com**

The Dynamic Central Door Knob is part of Dynamic Hardware's premium stainless steel door hardware range which includes Door Handles, T-Bar/Square Door Pull Handles, Escutcheons, Door Knockers, Spyhole Viewers, Door Restrictors and Cylinder Pulls.

The **Dynamic Central Door Knob** is easy to fit and suitable for use on Timber and Composite Doors.



Dynamic Hardware

Dynamic HW Group Limited 8 Windmill Street, Walsall, West Midlands, WS1 3EE

www.dynamichardware.co.uk