



# Dynamic Pull Bar Handle

Dynamic Hardware's Pull Bar Handles offer a contemporary design with superior handle aesthetics.

With a choice of design options, the Dynamic Pull Bar Handles offer optimal levels of corrosion resistance and reliable product performance.

## SELECTED FEATURES

- Manufactured in high strength 316 Stainless Steel.
- Round or Rectangular design options.
- Inline or Cranked versions available.
- Produced in 1.2mm thickness material.
- Bolt Fix and Back-to-Back fixings methods available.
- M8 fixing bolts supplied along with clear cover washer to protect the door face.

The **Dynamic Pull Bar Handles** are easy to fit and suitable for use on PVC-U, Timber and Composite doors offering the best in contemporary door styling.



STRENGTH IN PRODUCT DESIGN

Dynamic Hardware

## PART NUMBERS

Part Number	Description	Centres
EPB – IBB0400S	Pull Bar Inline 0400mm BTB Pair	200
EPB – IBB0600S	Pull Bar Inline 0600mm BTB Pair	400
EPB – IBB0800S	Pull Bar Inline 0800mm BTB Pair	600
EPB – IBB1000S	Pull Bar Inline 1000mm BTB Pair	800
EPB – IBB1200S	Pull Bar Inline 1200mm BTB Pair	1000
EPB – IBB1500S	Pull Bar Inline 1500mm BTB Pair	1300
EPB – IBB1800S	Pull Bar Inline 1800mm BTB Pair	1600
EPB – IBF0400S	Pull Bar Inline 0400mm BF Single	200
EPB – IBF0600S	Pull Bar Inline 0600mm BF Single	400
EPB – IBF0800S	Pull Bar Inline 0800mm BF Single	600
EPB – IBF1000S	Pull Bar Inline 1000mm BF Single	800
EPB – IBF1200S	Pull Bar Inline 1200mm BF Single	1000
EPB – IBF1500S	Pull Bar Inline 1500mm BF Single	1300
EPB – IBF1800S	Pull Bar Inline 1800mm BF Single	1600
EPB – CBF0400S	Pull Bar Cranked Bar 400mm BF Single	200
EPB – CBF0600S	Pull Bar Cranked Bar 600mm BF Single	400
EPB-CBF0800S	Pull Bar Cranked Bar 800mm BF Single	600
EPB-CBF1000S	Pull Bar Cranked Bar 1000mm BF Single	800
EPB-CBF1200S	Pull Bar Cranked Bar 1200mm BF Single	1000
EPB-CBF1500S	Pull Bar Cranked Bar 1500mm BF Single	1300
EPB-CBF1800S	Pull Bar Cranked Bar 1800mm BF Single	1600
EPB – CBB0400S	Pull Bar Cranked 0400mm BTB Pair	200
EPB – CBB0600S	Pull Bar Cranked 0600mm BTB Pair	400
EPB – CBB0800S	Pull Bar Cranked 0800mm BTB Pair	600
EPB – CBB1000S	Pull Bar Cranked 1000mm BTB Pair	800
EPB – CBB1200S	Pull Bar Cranked 1200mm BTB Pair	1000
EPB – CBB1500S	Pull Bar Cranked 1500mm BTB Pair	1300
EPB – CBB1800S	Pull Bar Cranked 1800mm BTB Pair	1600
EPB – SBF0400S	Pull Bar Square 0400mm BF Single	200
EPB – SBF0600S	Pull Bar Square 0600mm BF Single	400
EPB – SBF0800S	Pull Bar Square 0800mm BF Single	600
EPB – SBF1000S	Pull Bar Square 1000mm BF Single	800
EPB – SBF1200S	Pull Bar Square 1200mm BF Single	1000
EPB – SBF1500S	Pull Bar Square 1500mm BF Single	1300
EPB – SBF1800S	Pull Bar Square 1800mm BF Single	1600
EPB – SBB0400S	Pull Bar Square 0400mm BTB Pair	200
EPB – SBB0600S	Pull Bar Square 0600mm BTB Pair	400
EPB – SBB0800S	Pull Bar Square 0800mm BTB Pair	600
EPB – SBB1000S	Pull Bar Square 1000mm BTB Pair	800
EPB – SBB1200S	Pull Bar Square 1200mm BTB Pair	1000
EPB – SBB1500S	Pull Bar Square 1500mm BTB Pair	1300
EPB – SBB1800S	Pull Bar Square 1800mm BTB Pair	1600

## TESTING

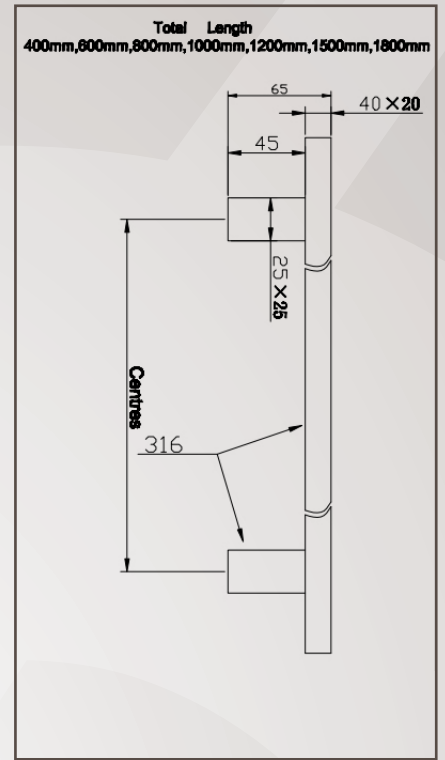
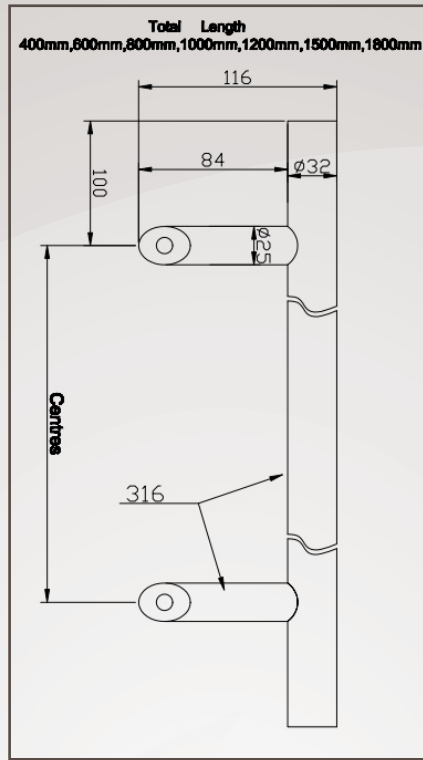
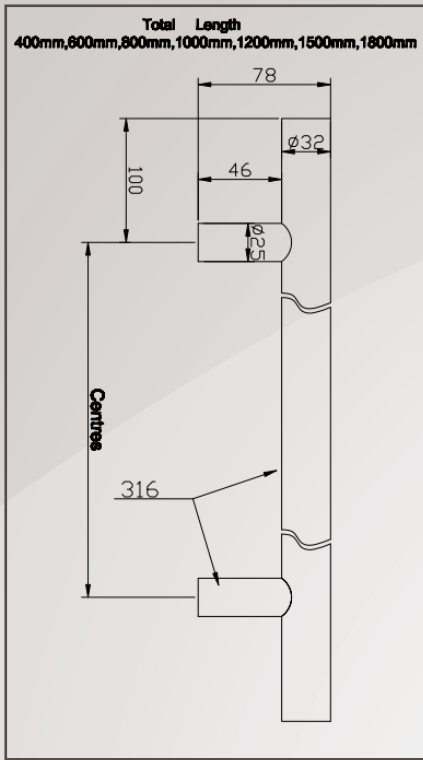
- Corrosion tested to 1000+ hours.



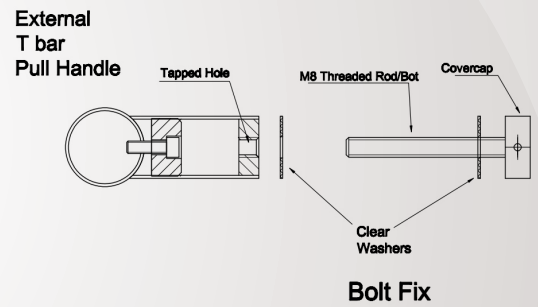
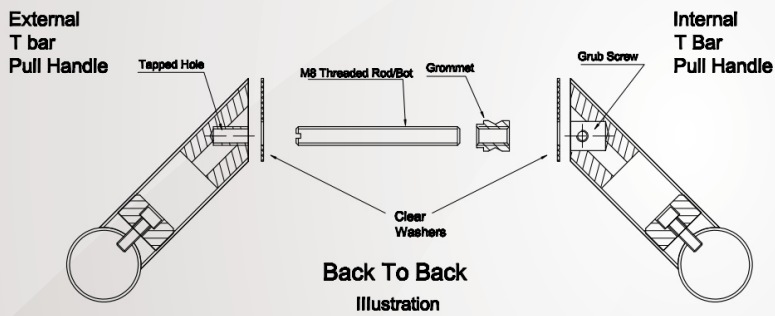
STRENGTH IN PRODUCT DESIGN



Dynamic Hardware



## FIXINGS



\* Guarantee subject to correct installation and maintenance.

T: **01922 907776**

E: **info@dynamicgrouplimited.com**

Dynamic HW Group Limited 8 Windmill Street, Walsall, West Midlands, WS1 3EE



**Dynamic Hardware**

**www.dynamichardware.co.uk**