



Dynamic Inline Window Handle

Dynamic Hardware's Inline Window Handle has been ergonomically designed, manufactured and extensively tested both within Group and at independent accredited facilities.

The Dynamic Inline Window Handle is manufactured to an extremely high standard offering the best in product functionality and reliable performance.

SELECTED FEATURES

- Manufactured in high strength Aluminium and Zinc alloys.
- Suited signature dimple grip identification.
- Supplied with key, fixings screws, screw cover cap and non-locking plug.
- Spare keys and screw cover caps available.
- Painted products made from aluminium and zinc.
- Plated products made from zinc.
- Non locking/solid buttons available.

Available in both inline and offset options, the **Dynamic Window Handle** is easy to fit and suitable for PVC-U, aluminium, and timber casement windows.



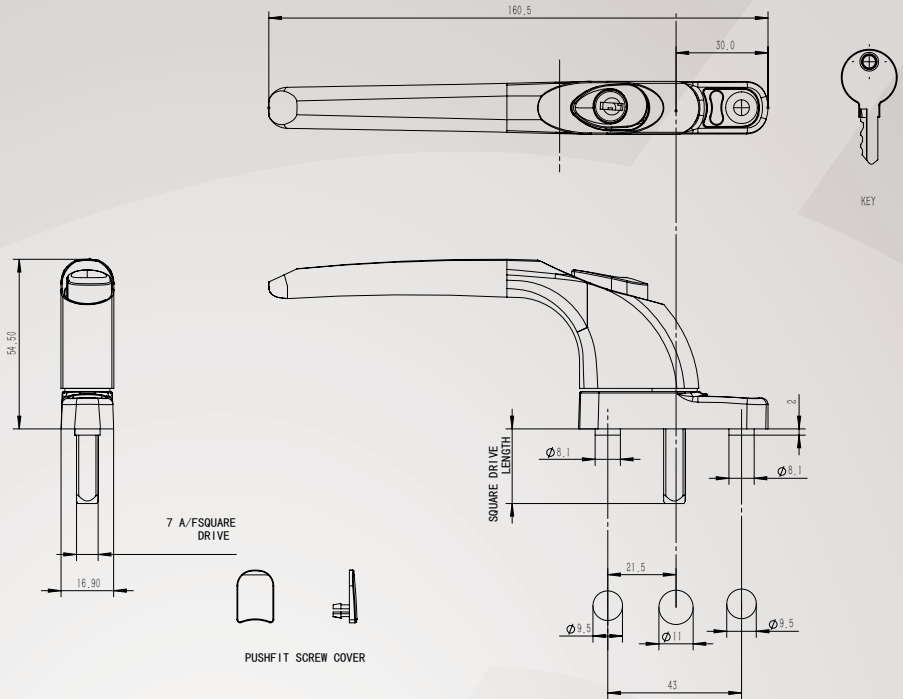
Dynamic Hardware

STRENGTH IN PRODUCT DESIGN

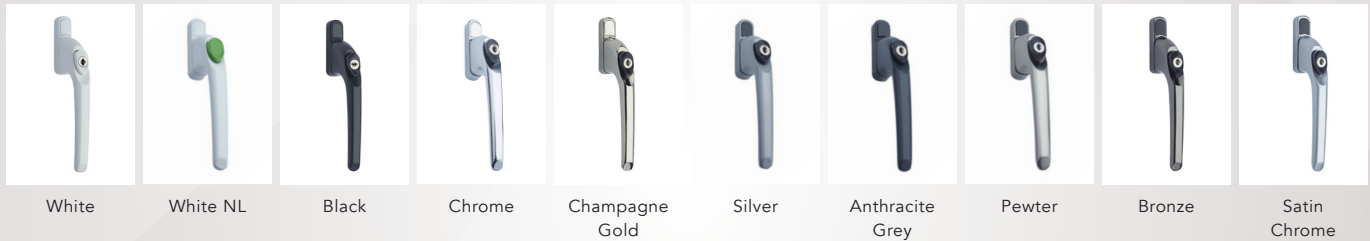


TESTING

- Corrosion resistance to BS EN 1670.
- Grade 4 plated finishes.
- Grade 5 painted finishes.
- Independently accredited to 20,000 cycles.



FINISHES



PART NUMBERS

Part Number	Description	Colour	Box Quantity	Carton Quantity
EIL - *WH	Inline Espag *mm WHITE	White	10	80
EIL - *NWHG	Inline Espag *mm WHITE NL	White NL	10	80
EIL - *BK	Inline Espag *mm BLACK	Black	10	80
EIL - *CH	Inline Espag *mm CHROME	Chrome	10	80
EIL - *CG	Inline Espag *mm C GOLD	Champagne Gold	10	80
EIL - *SV	Inline Espag *mm SILVER	Silver	10	80
EIL - *AG	Inline Espag *mm A GREY	Anthracite Grey	10	80
EIL - *GP	Inline Espag *mm PEWTER	Pewter	10	80
EIL - *BZ	Inline Espag *mm BRONZE	Bronze	10	80
EIL - *SA	Inline Espag *mm S CHROME	Satin Chrome	10	80

* Spindle lengths 15mm, 30mm and 40mm available as standard.

Please note: A variety of spindle lengths are available to suit multiple profiles on request.

* Guarantee subject to correct installation and maintenance.

T: **01922 907776**

E: **info@dynamicgrouplimited.com**



Dynamic Hardware